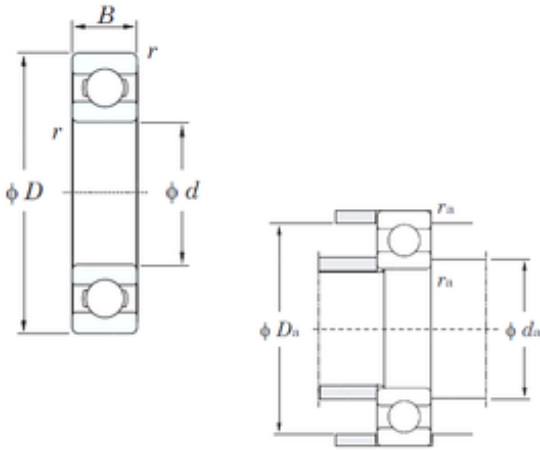




Korean motorcyclist Co., Ltd



6201 Bearing 2D drawings and 3D CAD models

Koyo Ball Bearing 6201 6202 6203 6301 6302 6303 Zz 2RS

Bearing No. 6201

Size	12x32x10 mm
Bore Diameter	12 mm
Outer Diameter	32 mm
Width	10 mm
d	12 mm
D	32 mm
B	10 mm
C	10 mm
r min.	0,6 mm
da min.	16 mm
Da max.	28 mm
ra max.	0,6 mm
Weight	0,037 Kg
Basic dynamic load rating (C)	6,8 kN
Basic static load rating (C0)	3,05 kN
(Grease) Lubrication Speed	22000 r/min
(Oil) Lubrication Speed	27000 r/min
Category	Single Row Ball Bearings
Inventory	0.0
Manufacturer Name	KOYO
Minimum Buy Quantity	N/A
Weight / Kilogram	0.04
Product Group	B00308
Enclosure	Open
Precision Class	ABEC 1 ISO P0



Korean motorcyclist Co., Ltd

Maximum Capacity / Filling Slot	No
Rolling Element	Ball Bearing
Snap Ring	No
Internal Special Features	No
Cage Material	Steel
Internal Clearance	C0-Medium
Inch - Metric	Metric
Long Description	12MM Bore; 32MM Outside Diameter; 10MM Outer Race Diameter; Open; Ball Bearing; ABEC 1 ISO P0; No Filling Slot; No Snap Ring; No Internal Special Features
Category	Single Row Ball Bearing
UNSPSC	31171504
Harmonized Tariff Code	8482.10.50.68
Noun	Bearing
Keyword String	Ball
Manufacturer URL	http://www.koyousa.com
Manufacturer Item Number	6201
Weight / LBS	0.088
Outside Diameter	1.26 Inch 32 Millimeter
Bore	0.472 Inch 12 Millimeter
Outer Race Width	0.394 Inch 10 Millimeter
Bearing No.	6201
r(min)	0.6
Cr	8.50
C0r	3.05
Cu	0.240
f0	12.3
Grease lub.	22000
Oil lub.	27000



Korean motorcyclist Co., Ltd

da(min)	16
Da(max)	28
ra(max)	0.6
(Refer.)Mass(kg)	0.037