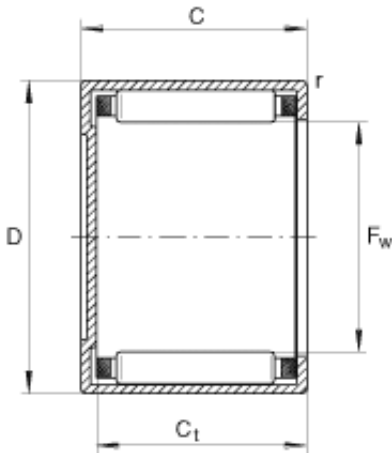




# Korean motorcyclist Co., Ltd



BK1012 Bearing 2D drawings and 3D CAD models

## INA BK1012 Drawn Cup Needle Roller Bearings

Bearing No. BK1012

|                             |                                       |
|-----------------------------|---------------------------------------|
| Size                        | 10x14x12 mm                           |
| Bore Diameter               | 10 mm                                 |
| Outer Diameter              | 14 mm                                 |
| Width                       | 12 mm                                 |
| $F_w$                       | 10 mm                                 |
| D                           | 14 mm                                 |
| C - 12 mm / Tolerance: -0,3 | 12 mm / Tolerance: 0,3                |
| $C_{t\min}$                 | 10,4 mm                               |
| $r_{\min}$                  | 0,4 mm                                |
| m                           | 5 g / Weight                          |
| $C_r$                       | 5500 N / Dynamic load rating (radial) |
| $C_{0r}$                    | 6800 N / Static load rating (radial)  |
| $C_{ur}$                    | 930 N / Fatigue limit load, radial    |
| $n_G$                       | 24300 1/min / Limiting speed          |
| $n_B$                       | 17100 1/min / Reference speed         |
|                             | IR7X10X12 / Suitable inner ring       |
| Category                    | Needle Non Thrust Roller Bearings     |
| Inventory                   | 0.0                                   |
| Manufacturer Name           | SCHAEFFLER GROUP                      |
| Minimum Buy Quantity        | N/A                                   |
|                             |                                       |



## Korean motorcyclist Co., Ltd

|                           |  |
|---------------------------|--|
| Weight / Kilogram         | 0.01   |
| EAN                       | 4026677166616  |
| Product Group             | B04144   |
| Rolling Element           | Needle Roller Bearing  |
| Component                 | Roller Assembly with Outer Ring - No Inner Ring  |
| Enclosure                 | Open   |
| Self Aligning             | No   |
| Retainer                  | Yes  |
| Number of Rows of Rollers | Single Row   |
| Separable                 | No   |
| Closed End                | Yes  |
| Inch - Metric             | Metric   |
| Relubricatable            | No   |
| Thrust Bearing            | No   |
| Long Description          | 10MM Bore; 14MM Outside Diameter; 12MM Width; Needle Roller Bearing; Roller Assembly with Outer Ring - No Inner Ring; Open; Not Self Aligning; Retainer; Single Row of Rollers; Not Separable; Closed En |
| Other Features            | 1 Rib Outer Ring   Drawn Cup Bearing   Steel Cage  |
| Category                  | Needle Non Thrust Roller Bearing   |
| UNSPSC                    | 31171512   |
| Harmonized Tariff Code    | 8482.99.65.30  |
| Noun                      | Roller Assembly with Outer Ring  |
| Keyword String            | Bearing Needle   |
| Manufacturer URL          | <a href="http://www.ina.com">http://www.ina.com</a>  |
| Manufacturer Item Number  | BK1012   |
| Weight / LBS              | 0.011  |



## Korean motorcyclist Co., Ltd

|                  |                            |
|------------------|----------------------------|
| Outside Diameter | 0.551 Inch   14 Millimeter |
| Bore             | 0.394 Inch   10 Millimeter |
| Width            | 0.472 Inch   12 Millimeter |