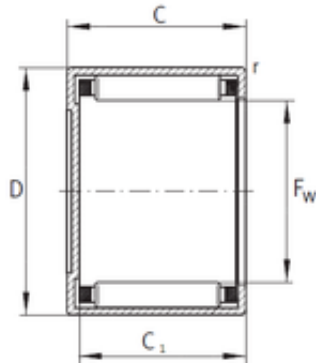




# Korean motorcyclist Co., Ltd

## INA BCE2020 Drawn Cup Needle Roller Bearings



Bearing No. BCE2020

BCE2020 Bearing 2D drawings and 3D CAD models

Size	31.75x38.1x31.75 mm
Bore Diameter	31,75 mm
Outer Diameter	38,1 mm
Width	31,75 mm
Fw	31,75 mm
D	38,1 mm
C	31,75 mm
Weight	0,056 Kg
Basic dynamic load rating (C)	33,5 kN
Basic static load rating (C0)	71 kN
Category	Needle Non Thrust Roller Bearings
Inventory	0.0
Manufacturer Name	SCHAEFFLER GROUP
Minimum Buy Quantity	N/A
Weight / Kilogram	0.06
EAN	4047643197236
Product Group	B04144
Rolling Element	Needle Roller Bearing
Component	Roller Assembly with Outer Ring - No Inner Ring
Enclosure	Open
Self Aligning	No
Retainer	Yes
Number of Rows of Rollers	Single Row



## Korean motorcyclist Co., Ltd

Separable	No
Closed End	Yes
Inch - Metric	Inch
Relubricatable	No
Thrust Bearing	No
Long Description	1-1/4" Bore; 1-1/2" Outside Diameter; 1-1/4" Width; Needle Roller Bearing; Roller Assembly with Outer Ring - No Inner Ring; Open Enclosure; No Self Aligning; Yes Retainer; Single Row of
Other Features	1 Rib Outer Ring   Drawn Cup Bearing   Steel Cage
Category	Needle Non Thrust Roller Bearing
UNSPSC	31171512
Harmonized Tariff Code	8482.40.00.00
Noun	Bearing
Keyword String	Needle
Manufacturer URL	<a href="http://www.ina.com">http://www.ina.com</a>
Manufacturer Item Number	BCE2020
Weight / LBS	0.123
Width	1.25 Inch   31.75 Millimeter
Outside Diameter	1.5 Inch   38.1 Millimeter
Bore	1.25 Inch   31.75 Millimeter