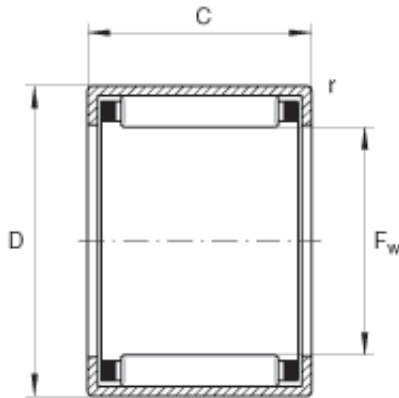




Korean motorcyclist Co., Ltd



INA HK2010 Drawn Cup Needle Roller Bearings

Bearing No. HK2010

Size	20x26x10 mm
Bore Diameter	20 mm
Outer Diameter	26 mm
Width	10 mm
F_w	20 mm
D	26 mm
C - 10 mm / Tolerance: -0,3	10 mm / Tolerance: 0,3
r_{min}	0,8 mm
m	12 g / Weight
C_r	6300 N / Dynamic load rating (radial)
C_{0r}	8100 N / Static load rating (radial)
C_{ur}	1010 N / Fatigue limit load, radial
n_G	12700 1/min / Limiting speed
n_B	9300 1/min / Reference speed
Category	Needle Non Thrust Roller Bearings
Inventory	0.0
Manufacturer Name	SCHAEFFLER GROUP
Minimum Buy Quantity	N/A
Weight / Kilogram	0.01
EAN	4054364120436
Product Group	B04144

HK2010 Bearing 2D drawings and 3D CAD models



Korean motorcyclist Co., Ltd

Rolling Element	Needle Roller Bearing
Component	Roller Assembly with Outer Ring - No Inner Ring
Enclosure	Open
Self Aligning	No
Retainer	Yes
Number of Rows of Rollers	Single Row
Separable	No
Closed End	No
Inch - Metric	Metric
Relubricatable	No
Thrust Bearing	No
Long Description	20MM Bore; 26MM Outside Diameter; 10MM Width; Needle Roller Bearing; Roller Assembly with Outer Ring - No Inner Ring; Open Enclosure; No Self Aligning; Retainer; Single Row of Rollers; No Separable; N
Other Features	2 Rib Outer Ring Drawn Cup Bearing Steel Cage
Category	Needle Non Thrust Roller Bearing
UNSPSC	31171512
Harmonized Tariff Code	8482.40.00.00
Noun	Bearing
Keyword String	Needle
Manufacturer URL	http://www.ina.com
Manufacturer Item Number	HK2010
Weight / LBS	0.026
Outside Diameter	1.024 Inch 26 Millimeter
Width	0.394 Inch 10 Millimeter
Bore	0.787 Inch 20 Millimeter