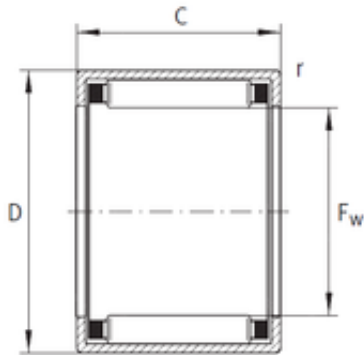




Korean motorcyclist Co., Ltd

INA SCE2610 Drawn Cup Needle Roller Bearings



Bearing No. SCE2610

SCE2610 Bearing 2D drawings and 3D CAD models

Size	41.275x50.8x15.875 mm
Bore Diameter	41,275 mm
Outer Diameter	50,8 mm
Width	15,875 mm
Fw	41,275 mm
D	50,8 mm
C	15,875 mm
Weight	0,055 Kg
Basic dynamic load rating (C)	25,5 kN
Basic static load rating (C0)	40 kN
Category	Needle Non Thrust Roller Bearings
Inventory	0.0
Manufacturer Name	SCHAEFFLER GROUP
Minimum Buy Quantity	N/A
Weight / Kilogram	0.06
EAN	4012802070217
Product Group	B04144
Rolling Element	Needle Roller Bearing
Component	Roller Assembly with Outer Ring - No Inner Ring
Enclosure	Open
Self Aligning	No
Retainer	Yes
Number of Rows of Rollers	Single Row



Korean motorcyclist Co., Ltd

Separable	No
Closed End	No
Inch - Metric	Inch
Relubricatable	No
Thrust Bearing	No
Long Description	1-5/8" Bore; 2" Outside Diameter; 5/8" Width; Needle Roller Bearing; Roller Assembly with Outer Ring - No Inner Ring; Open; Not Self Aligning; Retainer; Single Row of Rollers; Not Separ
Other Features	2 Rib Outer Ring Drawn Cup Bearing Steel Cage
Category	Needle Non Thrust Roller Bearing
UNSPSC	31171512
Harmonized Tariff Code	8482.99.65.30
Noun	Roller Assembly with Outer Ring
Keyword String	Bearing Needle
Manufacturer URL	http://www.ina.com
Manufacturer Item Number	SCE2610
Weight / LBS	0.121
Outside Diameter	2 Inch 50.8 Millimeter
Bore	1.625 Inch 41.275 Millimeter
Width	0.625 Inch 15.875 Millimeter