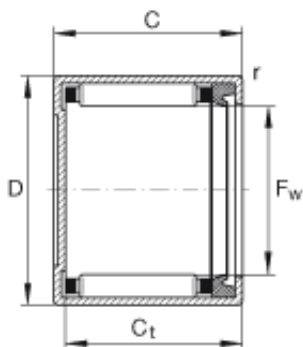




Korean motorcyclist Co., Ltd



INA BK1614-RS Drawn Cup Needle Roller Bearings

Bearing No. BK1614-RS

Size	16x22x14 mm
Bore Diameter	16 mm
Outer Diameter	22 mm
Width	14 mm
F_w	16 mm
D	22 mm
C - 14 mm / Tolerance: -0,3	14 mm / Tolerance: 0,3
$C_{t\min}$	11,3 mm
r_{\min}	0,8 mm
m	15 g / Weight
C_r	7600 N / Dynamic load rating (radial)
C_{0r}	9700 N / Static load rating (radial)
C_{ur}	1160 N / Fatigue limit load, radial
$n_{G\text{ Fett}}$	11000 1/min / Limiting speed for grease lubrication
	IR12X16X13 / Suitable inner ring
Category	Needle Non Thrust Roller Bearings
Inventory	0.0
Manufacturer Name	SCHAEFFLER GROUP
Minimum Buy Quantity	N/A
Weight / Kilogram	0.019
EAN	4047643186834

BK1614-RS Bearing 2D drawings and 3D CAD models



Korean motorcyclist Co., Ltd

Product Group	B04144
Rolling Element	Needle Roller Bearing
Component	Roller Assembly with Outer Ring - No Inner Ring
Enclosure	1 Seal
Self Aligning	No
Retainer	Yes
Number of Rows of Rollers	Single Row
Separable	No
Closed End	Yes
Inch - Metric	Metric
Relubricatable	No
Thrust Bearing	No
Long Description	16MM Bore; 22MM Outside Diameter; 14MM Width; Needle Roller Bearing; Roller Assembly with Outer Ring - No Inner Ring; 1 Seal Enclosure; No Self Aligning; Retainer; Single Row of Rollers; No Separable;
Other Features	1 Rib Outer Ring Drawn Cup Bearing Steel Cage
Category	Needle Non Thrust Roller Bearing
UNSPSC	31171512
Harmonized Tariff Code	8482.40.00.00
Noun	Bearing
Keyword String	Needle
Manufacturer URL	http://www.ina.com
Manufacturer Item Number	BK1614RS
Weight / LBS	0.029
Bore	0.63 Inch 16 Millimeter
Width	0.551 Inch 14 Millimeter
Outside Diameter	0.866 Inch 22 Millimeter



Korean motorcyclist Co., Ltd