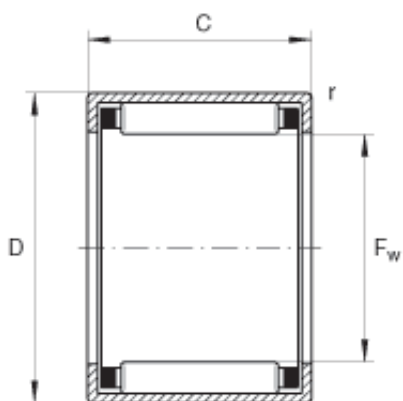




## Korean motorcyclist Co., Ltd



HK0709 Bearing 2D drawings and 3D CAD models

### INA HK0709 Drawn Cup Needle Roller Bearings

Bearing No. HK0709

|                            |                                       |
|----------------------------|---------------------------------------|
| Size                       | 7x11x9 mm                             |
| Bore Diameter              | 7 mm                                  |
| Outer Diameter             | 11 mm                                 |
| Width                      | 9 mm                                  |
| $F_w$                      | 7 mm                                  |
| D                          | 11 mm                                 |
| C - 9 mm / Tolerance: -0,3 | 9 mm / Tolerance: 0,3                 |
| $r_{min}$                  | 0,4 mm                                |
| m                          | 2,6 g / Weight                        |
| $C_r$                      | 3100 N / Dynamic load rating (radial) |
| $C_{0r}$                   | 2950 N / Static load rating (radial)  |
| $C_{ur}$                   | 355 N / Fatigue limit load, radial    |
| $n_G$                      | 33000 1/min / Limiting speed          |
| $n_B$                      | 24000 1/min / Reference speed         |
| Category                   | Needle Non Thrust Roller Bearings     |
| Inventory                  | 0.0                                   |
| Manufacturer Name          | SCHAEFFLER GROUP                      |
| Minimum Buy Quantity       | N/A                                   |
| Weight / Kilogram          | 0.01                                  |
| Product Group              | B04144                                |
| Rolling Element            | Needle Roller Bearing                 |



## Korean motorcyclist Co., Ltd

|                           |   |
|---------------------------|---|
| Component                 | Roller Assembly with Outer Ring - No Inner Ring   |
| Enclosure                 | Open  |
| Self Aligning             | No  |
| Retainer                  | Yes   |
| Number of Rows of Rollers | Single Row  |
| Separable                 | No  |
| Closed End                | No  |
| Inch - Metric             | Metric  |
| Relubricatable            | No  |
| Thrust Bearing            | No  |
| Long Description          | 7MM Bore; 11MM Outside Diameter; 9MM Width; Needle Roller Bearing; Roller Assembly with Outer Ring - No Inner Ring; Open Enclosure; No Self Aligning; Retainer; Single Row of Rollers; No Separable; No |
| Other Features            | 2 Rib Outer Ring   Drawn Cup Bearing   Steel Cage   |
| Category                  | Needle Non Thrust Roller Bearing  |
| UNSPSC                    | 31171512  |
| Harmonized Tariff Code    | 8482.40.00.00   |
| Noun                      | Bearing   |
| Keyword String            | Needle  |
| Manufacturer URL          | <a href="http://www.ina.com">http://www.ina.com</a>   |
| Manufacturer Item Number  | HK0709  |
| Weight / LBS              | 0.006   |
| Bore                      | 0.276 Inch   7 Millimeter   |
| Outside Diameter          | 0.433 Inch   11 Millimeter  |
| Width                     | 0.354 Inch   9 Millimeter   |