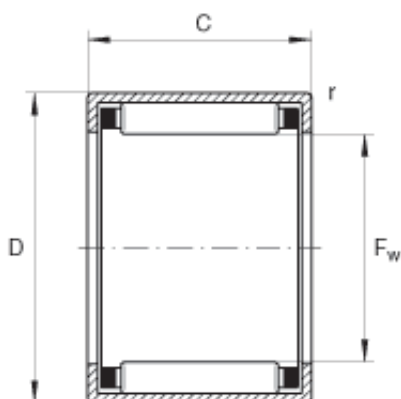




## Korean motorcyclist Co., Ltd



HK2210 Bearing 2D drawings and 3D CAD models

### INA HK2210 Drawn Cup Needle Roller Bearings

Bearing No. HK2210

Size	22x28x10 mm
Bore Diameter	22 mm
Outer Diameter	28 mm
Width	10 mm
$F_w$	22 mm
D	28 mm
C - 10 mm / Tolerance: -0,3	10 mm / Tolerance: 0,3
$r_{min}$	0,8 mm
m	13 g / Weight
$C_r$	7500 N / Dynamic load rating (radial)
$C_{0r}$	10500 N / Static load rating (radial)
$C_{ur}$	1360 N / Fatigue limit load, radial
$n_G$	11700 1/min / Limiting speed
$n_B$	8400 1/min / Reference speed
Category	Needle Non Thrust Roller Bearings
Inventory	0.0
Manufacturer Name	SCHAEFFLER GROUP
Minimum Buy Quantity	N/A
Weight / Kilogram	0.012
EAN	4012802453492
Product Group	B04144



## Korean motorcyclist Co., Ltd

Rolling Element	Needle Roller Bearing
Component	Roller Assembly with Outer Ring - No Inner Ring
Enclosure	Open
Self Aligning	No
Retainer	Yes
Number of Rows of Rollers	Single Row
Separable	No
Closed End	No
Inch - Metric	Metric
Relubricatable	No
Thrust Bearing	No
Long Description	22MM Bore; 28MM Outside Diameter; 10MM Width; Needle Roller Bearing; Roller Assembly with Outer Ring - No Inner Ring; Open; Not Self Aligning; Retainer; Single Row of Rollers; Not Separable; Not Close
Other Features	2 Rib Outer Ring   Drawn Cup Bearing   Steel Cage
Category	Needle Non Thrust Roller Bearing
UNSPSC	31171512
Harmonized Tariff Code	8482.99.65.30
Noun	Roller Assembly with Outer Ring
Keyword String	Bearing Needle
Manufacturer URL	<a href="http://www.ina.com">http://www.ina.com</a>
Manufacturer Item Number	HK2210
Weight / LBS	0.029
Bore	0.866 Inch   22 Millimeter
Outside Diameter	1.102 Inch   28 Millimeter
Width	0.394 Inch   10 Millimeter



# Korean motorcyclist Co., Ltd