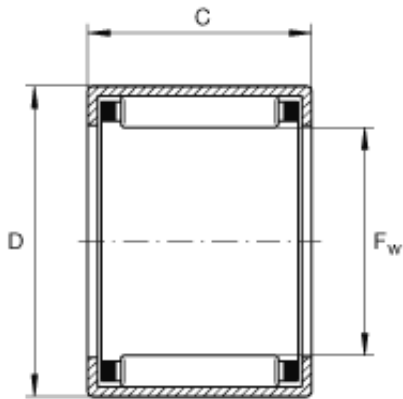




Korean motorcyclist Co., Ltd

INA SCE57 Drawn Cup Needle Roller Bearings



Bearing No. SCE57

Size	7.938x12.7x11.112 mm
Bore Diameter	7,938 mm
Outer Diameter	12,7 mm
Width	11,112 mm
F_w	5/16 inch
F_w	7,938 mm
D	0,5 inch
D	12,7 mm
C	0,437 inch
C	11,112 mm
m	0,013 lbs / Weight
m	6 g / Weight
C_r	1060 lbf / Dynamic load rating (radial)
C_r	4700 N / Dynamic load rating (radial)
C_{Or}	1090 lbf / Static load rating (radial)
C_{Or}	4850 N / Static load rating (radial)
n_G	29000 1/min / Limiting speed
n_B	20300 1/min / Reference speed
Category	Needle Non Thrust Roller Bearings
Inventory	0.0
Manufacturer Name	SCHAEFFLER GROUP

SCE57 Bearing 2D drawings and 3D CAD models



Korean motorcyclist Co., Ltd

Minimum Buy Quantity	N/A
Weight / Kilogram	0.01
Product Group	B04144
Rolling Element	Needle Roller Bearing
Component	Roller Assembly with Outer Ring - No Inner Ring
Enclosure	Open
Self Aligning	No
Retainer	Yes
Number of Rows of Rollers	Single Row
Separable	No
Closed End	No
Inch - Metric	Inch
Relubricatable	No
Thrust Bearing	No
Long Description	5/16" Bore; 1/2" Outside Diameter; 7/16" Width; Needle Roller Bearing; Roller Assembly with Outer Ring - No Inner Ring; Open; Not Self Aligning; Retainer; Single Row of Rollers; Not Sep
Other Features	2 Rib Outer Ring Drawn Cup Bearing Steel Cage
Category	Needle Non Thrust Roller Bearing
UNSPSC	31171512
Harmonized Tariff Code	8482.99.65.30
Noun	Roller Assembly with Outer Ring
Keyword String	Bearing Needle
Manufacturer URL	http://www.ina.com
Manufacturer Item Number	SCE57
Weight / LBS	0.013
Width	0.438 Inch 11.125



Korean motorcyclist Co., Ltd

	Millimeter
Bore	0.313 Inch 7.95 Millimeter
Outside Diameter	0.5 Inch 12.7 Millimeter