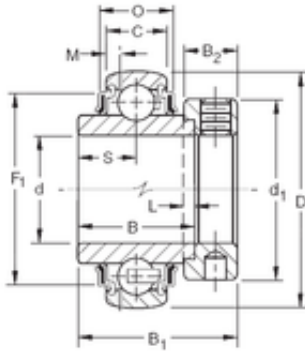




Korean motorcyclist Co., Ltd

G-KRRB Two Seals
Spherical O.D.



30,1625 mm x 62 mm x 36,51 mm Timken G1103KRRB Ball Insert Bearings

Bearing No. G1103KRRB

Size	30.1625x62x36.51 mm
Bore Diameter	30,1625 mm
Outer Diameter	62 mm
Width	36,51 mm
d	30,1625 mm
D	62 mm
B	36,51 mm
C	18 mm
P	21,56 mm
O	52,53 mm
d1	44,1 mm
B1	3,96 mm
B2	15,9 mm
L	4 mm
S	18,3 mm
F1	48,4 mm
Weight	0,376 Kg
Basic dynamic load rating (C)	21,8 kN

G1103KRRB Bearing 2D drawings and 3D CAD models